

2TL1-10A

TL Series Toggle Switch, 2 pole, 3 position, Screw terminal, Locking Lever, Military Part Number MS27408-4A

Features

- Qualified to MIL-S-3950
- Environment-proof sealing
- 1,2, and 4 pole circuitry
- Standard and pull-to-unlock levers
- 2 and 3 position, maintained and momentary toggle action
- Temperature range: -85°F to +160°F
- Completely sealed switching chamber
- Step-design case provides added space between terminals to help prevent shorting
- UL recognized, CSA certified
- CE approved

Representative photograph, actual product appearance may vary.

Due to regional agency approval requirements, some products may not be available in your area. Please contact your regional Honeywell office regarding your product of choice.

Typical Applications

- Industrial machinery and equipment
- Military and commercial aviation
- Construction equipment
- Test instruments
- Agricultural machinery
- Process control
- Medical instrumentation

Description


TL Series toggle switches have high strength, temperature resistant, non-tracking case material and silver cadmium oxide contacts. Pull-to-Unlock toggle levers prevent accidental operation; the lever must be pulled approx. 2,3 mm (0.09 inches) to change positions.



2TL1-10A

TL Series Toggle Switch, 2 pole, 3 position, Screw terminal, Locking Lever, Military Part Number MS27408-4A

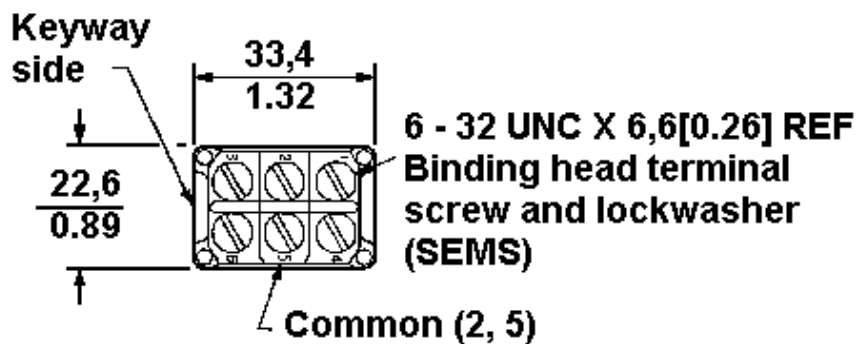
| Product Specifications | | | | | | | | | | |
|---------------------------------------|---------------------------------------------------------------------------------------------------------------------------------------------------------------------------------------------------------------------------------------------------------------------------------------------------------------------------------------------------------------------------------------------------|-------------------------------------|----------------------------|-------------------------------------|--------------|--------------|--------------|------------------------|------------------------|------------------------|
| Product Type | Toggle | | | | | | | | | |
| Ampere/Voltage Range (Resistive Load) | 0.5 A at 250 Vdc, 0.5 A to 15 A at 0.5 Vac to 277 Vac, 0.5 A to 20 A at 0.5 Vdc to 28 Vdc, 0.75 A at 115 Vdc | | | | | | | | | |
| Circuitry | DPDT | | | | | | | | | |
| Action | 3 position | | | | | | | | | |
| Circuitry/ Operating action | <table border="0"> <thead> <tr> <th>Keyway Maintained Position</th> <th>Center Maintained Position</th> <th>Opposite Keyway Maintained Position</th> </tr> </thead> <tbody> <tr> <td> <p>3 2 1</p> </td> <td> <p>3 2 1</p> </td> <td> <p>3 2 1</p> </td> </tr> <tr> <td> <p>6 5 4</p> <p>ON</p> </td> <td> <p>6 5 4</p> <p>ON</p> </td> <td> <p>6 5 4</p> <p>ON</p> </td> </tr> </tbody> </table> | Keyway Maintained Position | Center Maintained Position | Opposite Keyway Maintained Position | <p>3 2 1</p> | <p>3 2 1</p> | <p>3 2 1</p> | <p>6 5 4</p> <p>ON</p> | <p>6 5 4</p> <p>ON</p> | <p>6 5 4</p> <p>ON</p> |
| Keyway Maintained Position | Center Maintained Position | Opposite Keyway Maintained Position | | | | | | | | |
| <p>3 2 1</p> | <p>3 2 1</p> | <p>3 2 1</p> | | | | | | | | |
| <p>6 5 4</p> <p>ON</p> | <p>6 5 4</p> <p>ON</p> | <p>6 5 4</p> <p>ON</p> | | | | | | | | |

| | |
|-----------------------------|-------------------------------------------------------------------------------------------------------------------|
| Mounting | Bushing 15/32 in |
| Termination | Screw |
| Military Part Number | MS27408-4A |
| Lever Type | Locking |
| Lever Lock |  <p>Locked in three position</p> |
| UL/CSA Rating Code | L191: 15 A-125, 250, 277 Vac; 1/2 Hp-125 Vac; 1 Hp-250, 277 Vac; 5 A-120 Vac "L" |
| Comment | Silver cadmium oxide contacts |
| Availability | Global |
| UNSPSC Code | 30211908 |
| UNSPSC Commodity | 30211908 Toggle switches |
| Series Name | TL Series |

Honeywell

2TL1-10A

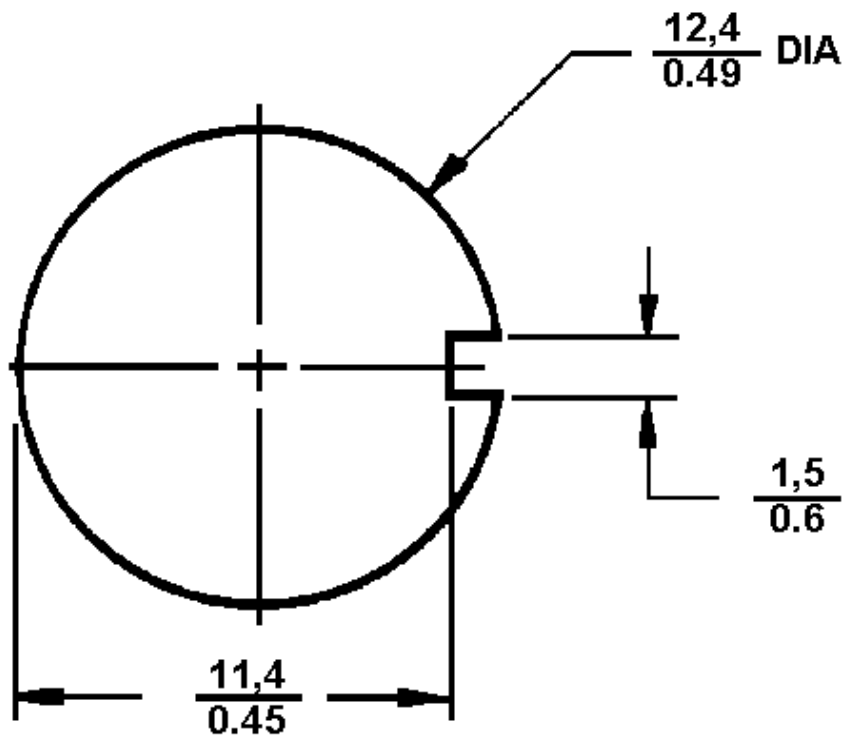
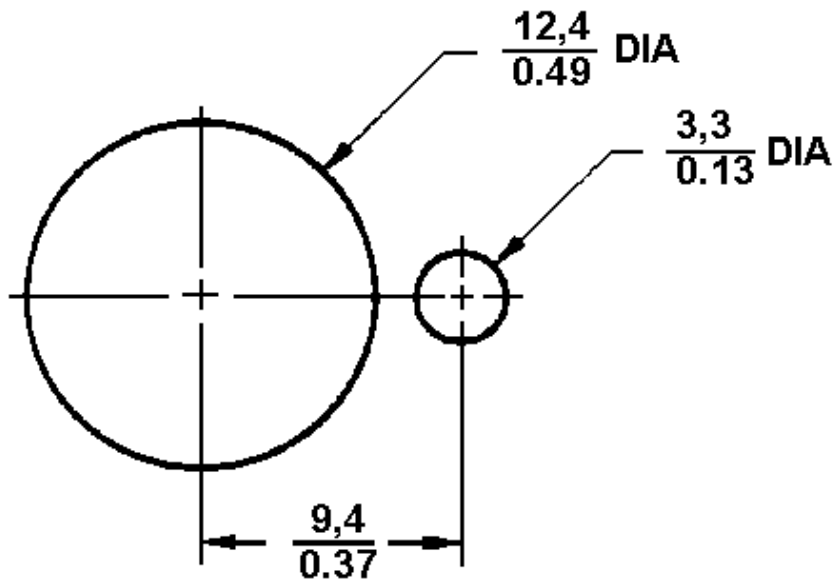
TL Series Toggle Switch, 2 pole, 3 position, Screw terminal, Locking Lever, Military Part Number MS27408-4A



Honeywell

2TL1-10A

TL Series Toggle Switch, 2 pole, 3 position, Screw terminal, Locking Lever, Military Part Number MS27408-4A





2TL1-10A

TL Series Toggle Switch, 2 pole, 3 position, Screw terminal, Locking Lever, Military
Part Number MS27408-4A

WARNING

PERSONAL INJURY

DO NOT USE these products as safety or emergency stop devices, or in any other application where failure of the product could result in personal injury.

Failure to comply with these instructions could result in death or serious injury.

WARNING

MISUSE OF DOCUMENTATION

- The information presented in this product sheet (or catalog) is for reference only. DO NOT USE this document as product installation information.
- Complete installation, operation and maintenance information is provided in the instructions supplied with each product.

Failure to comply with these instructions could result in death or serious injury.